



	.....	1
	.....	1
	.....	
1-1	.....	
1-1	.....	
1-	.....	
1-	.....	
1-	.....	
1-	.....	11
1-	.....	1
1-	.....	1
1-	.....	1
1-	.....	1
1-10	.....	1
1-11	.....	
1-1	.....	
1-1	.....	
1-1	.....	
1-1	.....	
1-1	.....	0
1-1	.....	
1-1	.....	
	.....	
	.....	
-1	.....	
-1	.....	
-	.....	0
-	.....	1
-	.....	
-	.....	
-	.....	
-	.....	
-	.....	1
-10	.....	
-11	.....	
-1	.....	
-1	.....	
-1	.....	1
-1	.....	
-1	.....	
-1	.....	
-1	.....	
	.....	0



[ 2014] 55

- 1.
- 2.
- 3.
- 4.

--

--

		1-1	1	1-1	1-1
		-1	1	-1	-1
		-1	1	-1	-1

1

I/O

C

/

Kei I C

2

1

/ /

Kei I C

MCU

/ /

2

6S (

)

/

3

120

4

20		10	0	
				1
				2
		10		3
				4
			5	

10

5

30

1



2

PCB

E

3

1



2

PCB  
E

3





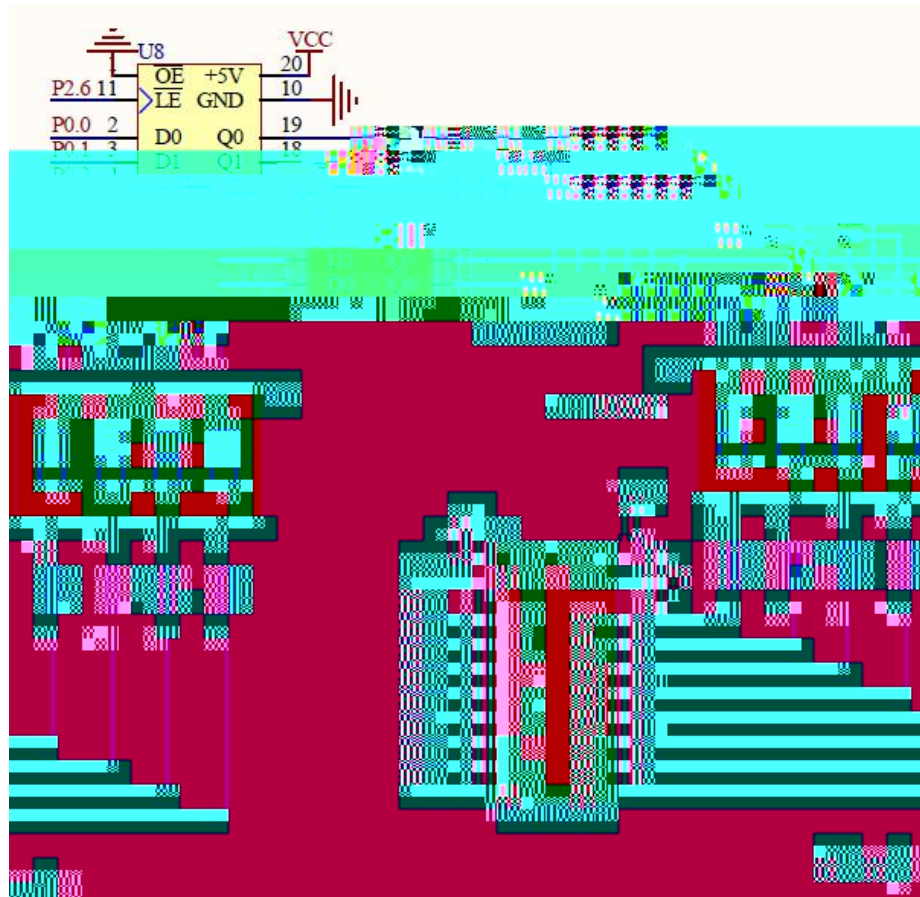
1

è





1



2

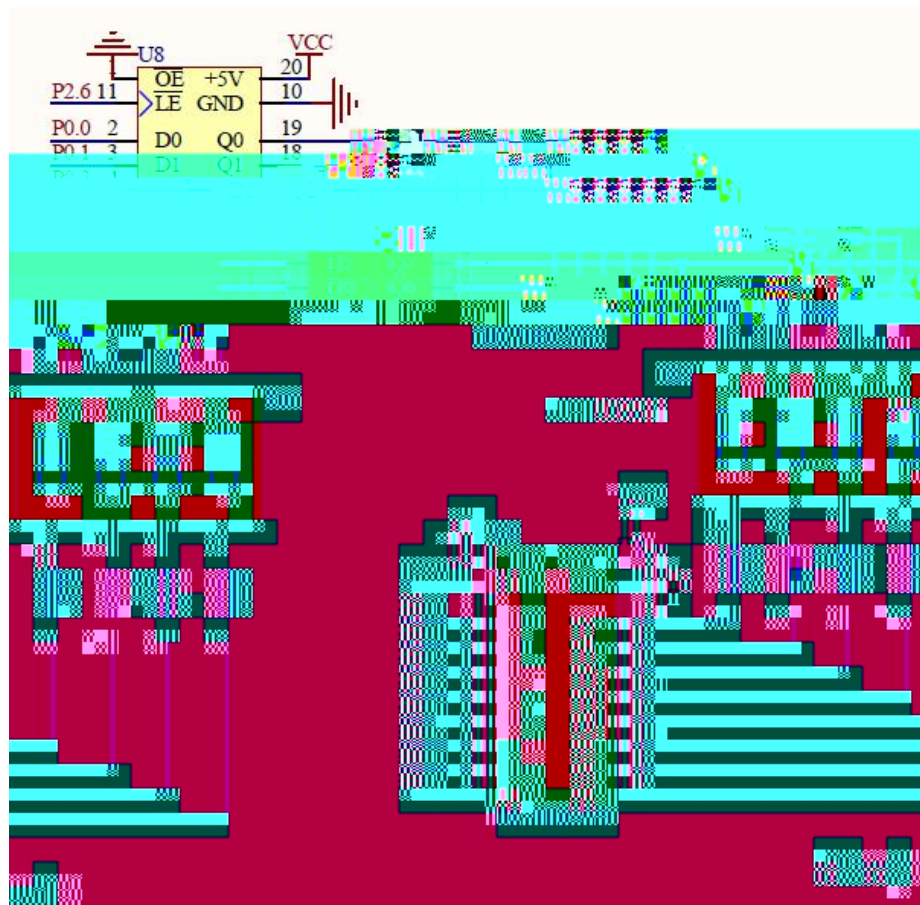
PCB

E

3



1



2

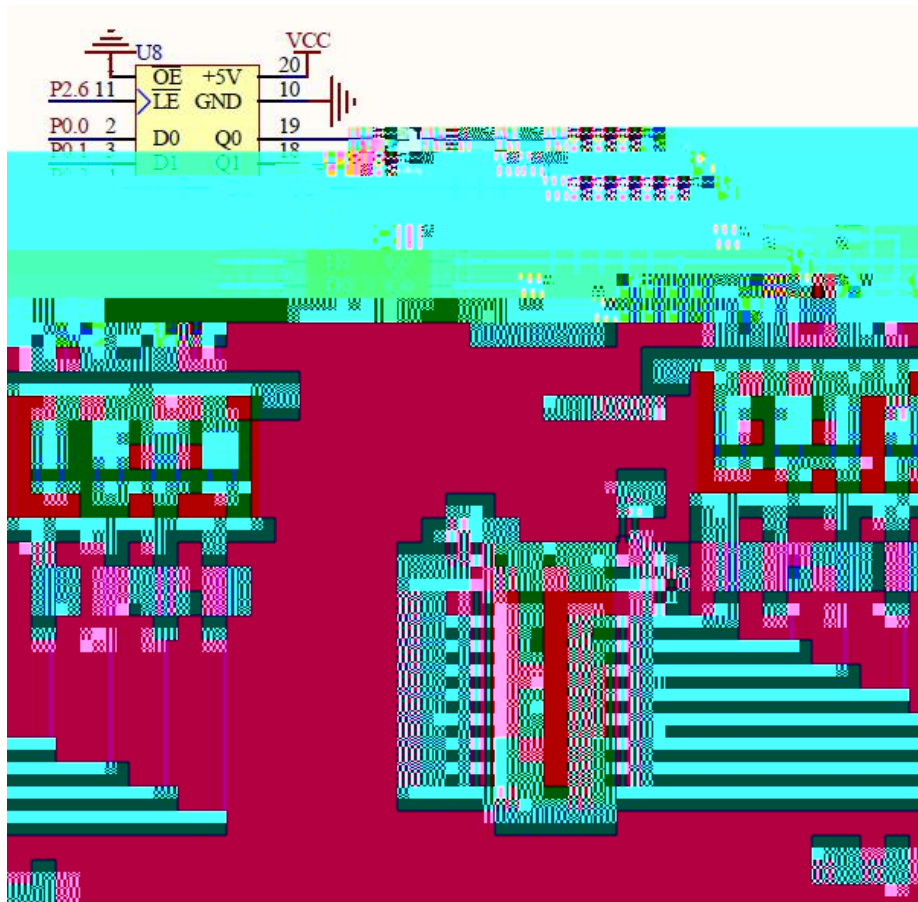
PCB

E

3



1



2

PCB

E

3

1









1

K1 8



2

PCB  
E

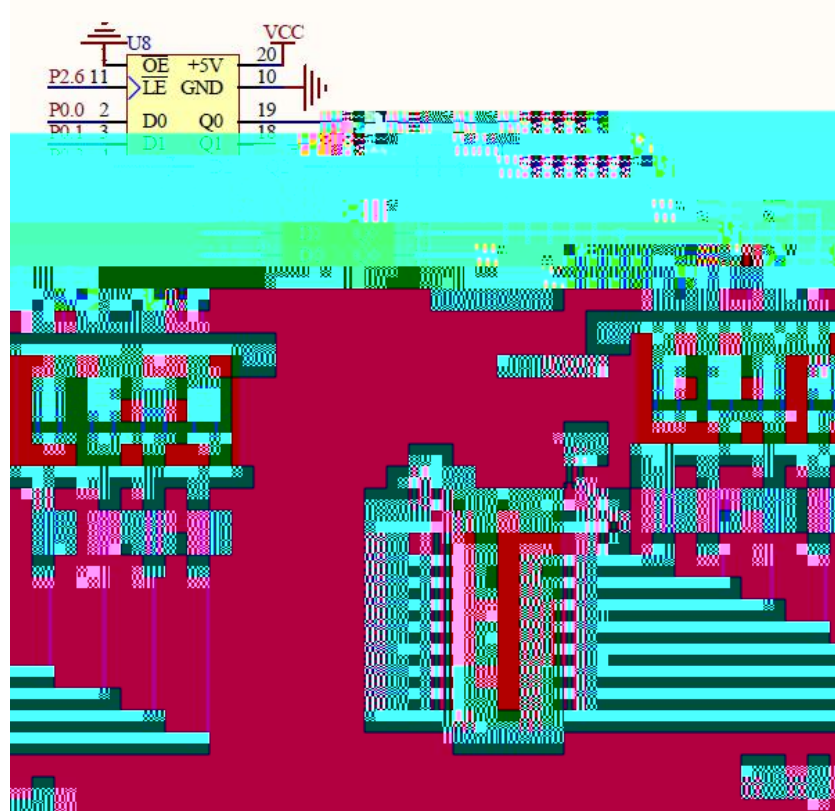
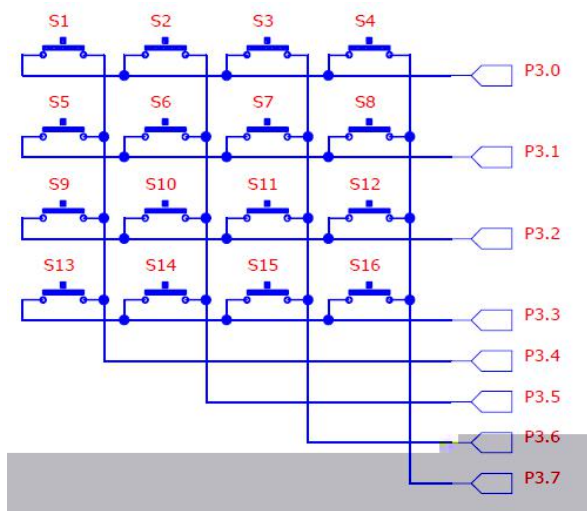
3



1

S1-S16

O-F



2

PCB

E

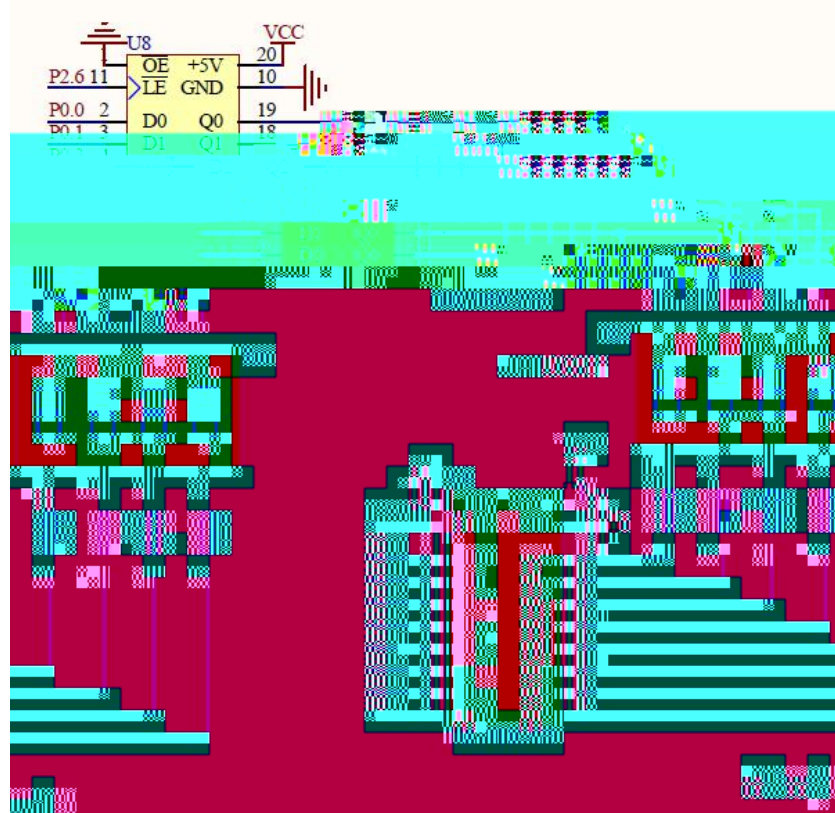
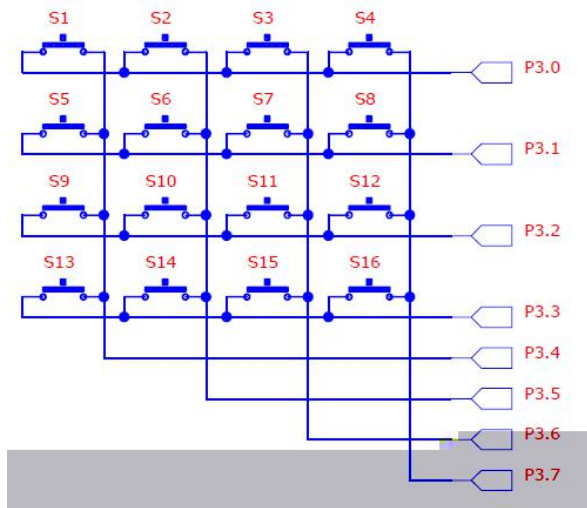
3

1

P3.2

9 0

1





2

PCB

E

3

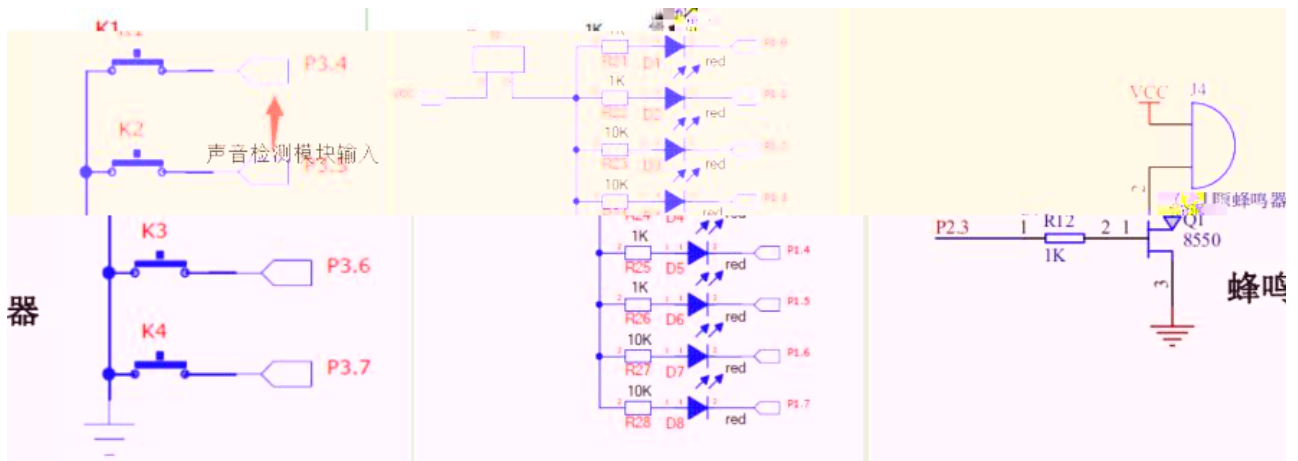
1

P3.4

1

P3.4

D1



1

2

PCB  
E

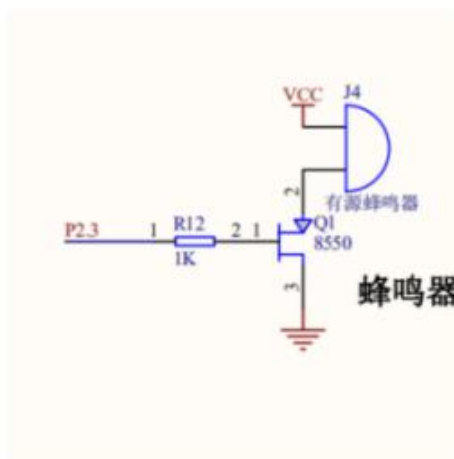
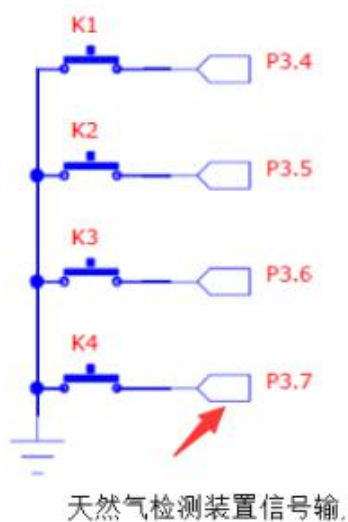
3

1

P3.7

1

P3.7



1

2

PCB  
E

3



1

1

K1

D1

K2

D2



1

2

PCB

E

3

1

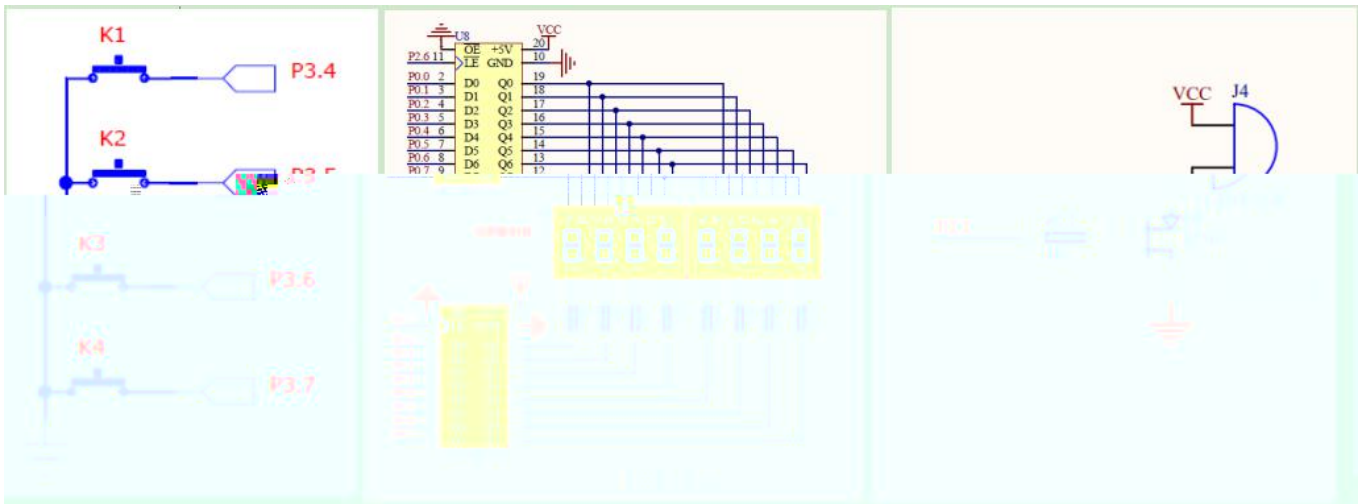
1

K1

K2 K3 K4

K1

" 1"



2

PCB

E

3



1

2



2

PCB

E

3



1

1

P3.6

P3.6



1

2

PCB

E

3

0



1

0.5S 0.5S



2

PCB  
E

3



1

K1

D1-D4

K2

D5-D8



2

PCB

E

3



1

/ /

1

/ /

/ /

( )

/

1 0

20		10			0	
			1			
		10	2			
			3			

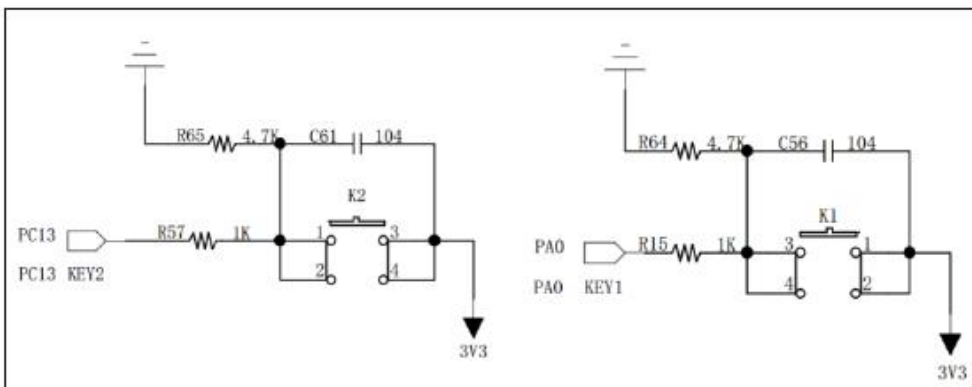
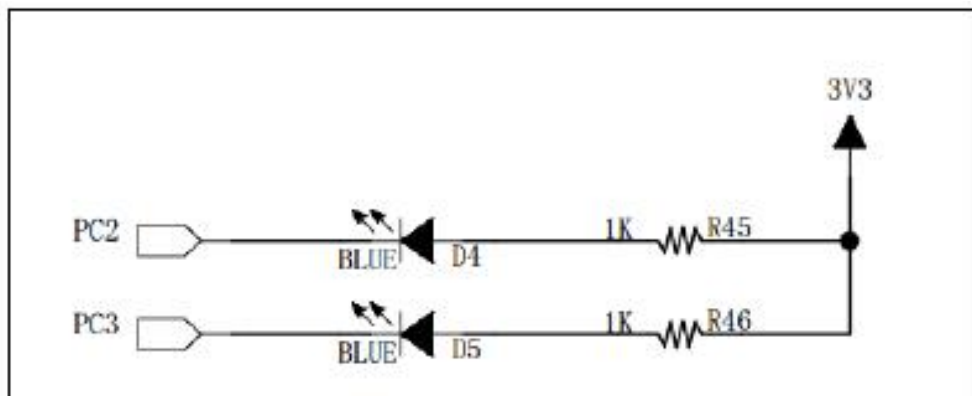
			4	
			5	
30		10		
		5		
		5		
		10		
50		5		
		5	1 2	PCB
		10		
		15	1 2 3	
		15		

5

18



1



2

3



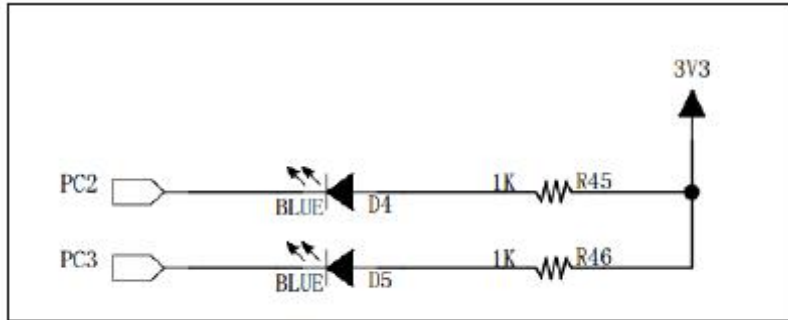
1



2

3

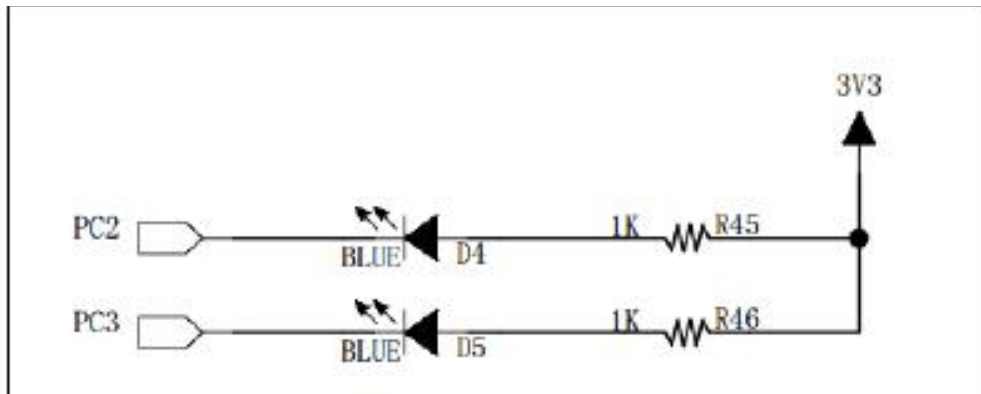
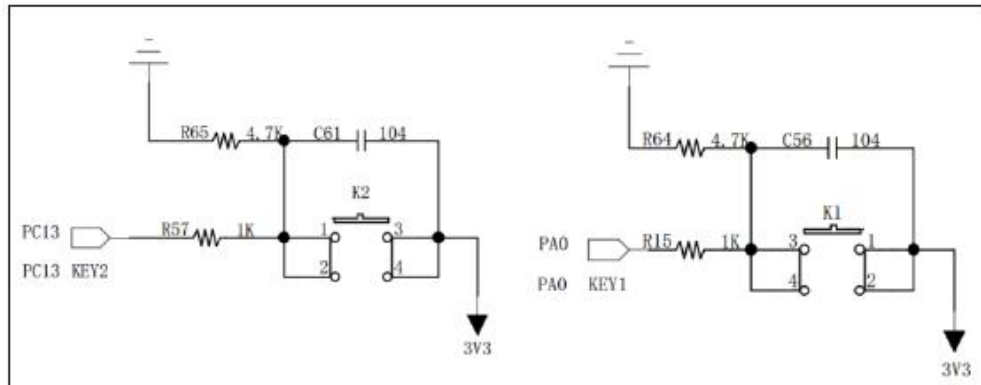
1



2

3

1



2

3



1



2



3





1

1	VBAT	VDD	64
2	PC13/ANT1	VSS	63
3	PC14/OSC32	PB9/TIM4_CH4/SDIO_D5	62
4	PC15/OSC32	PB8/TIM4_CH3/SDIO_D4	61
5	PD0/OSCIN	PA7/OSCOUT	60
6	PD1/OSCOUT	PD7/I2C1_SDA/TIM4_CH2	59
7	NRES	PB6/I2C1_SCL/TIM4_CH1	58
8	PC0/ADC10	PB5/I2C1_SMBA/SPI3_MOSI/I2S3_SD	57
9	PC1/ADC11	PB4/JNTRST/SPI3_MISO	56
10	PC2/ADC12	PB3/JTDO/SPI3_SCK/I2S3_CK	55
11	PC3/ADC13	PC2/U5_RX/TIM3_ETR/SDIO_CMD	54
12	VSSA	PC12/U5_TX/SDIO_CK	53
13	VDDA	PC11/U4_RX/SDIO_D3	52
14	PA0/WKUP/ADC0/TIM2_CH1_ETR/TIM5_CH1/TIM8_ETR	PC10/U4_TX/SDIO_D2	51
15	PA1/ADC11/TIM2_CH3/TIM5_CH2	PA15/JTDI/SPI3_NSS/I2S3_WS	50
16	PA2/U2_TX/ADC2/TIM2_CH5/TIM5_CH3	PA14/JTCK/SWCLK	49
17	PA3/U2_RX/ADC3/TIM2_CH4/TIM5_CH4	VDD	48
18	PA4	VSS	47
19	PA5	VSS	46
20	PA6	VSS	45
21	PA7	VSS	44
22	PA8	VSS	43
23	PA9	VSS	42
24	PA10	VSS	41
25	PA11	VSS	40
26	PA12	VSS	39
27	PA13	VSS	38
28	PA14	VSS	37
29	PA15	VSS	36
30	PA16	VSS	35
31	PA17	VSS	34
32	PA18	VSS	33
33	PA19	VSS	32
34	PA20	VSS	31
35	PA21	VSS	30
36	PA22	VSS	29
37	PA23	VSS	28
38	PA24	VSS	27
39	PA25	VSS	26
40	PA26	VSS	25
41	PA27	VSS	24
42	PA28	VSS	23
43	PA29	VSS	22
44	PA30	VSS	21
45	PA31	VSS	20
46	PA32	VSS	19
47	PA33	VSS	18
48	PA34	VSS	17
49	PA35	VSS	16
50	PA36	VSS	15
51	PA37	VSS	14
52	PA38	VSS	13
53	PA39	VSS	12
54	PA40	VSS	11
55	PA41	VSS	10
56	PA42	VSS	9
57	PA43	VSS	8
58	PA44	VSS	7
59	PA45	VSS	6
60	PA46	VSS	5
61	PA47	VSS	4
62	PA48	VSS	3
63	PA49	VSS	2
64	PA50	VSS	1

2

3



1



2

3

1

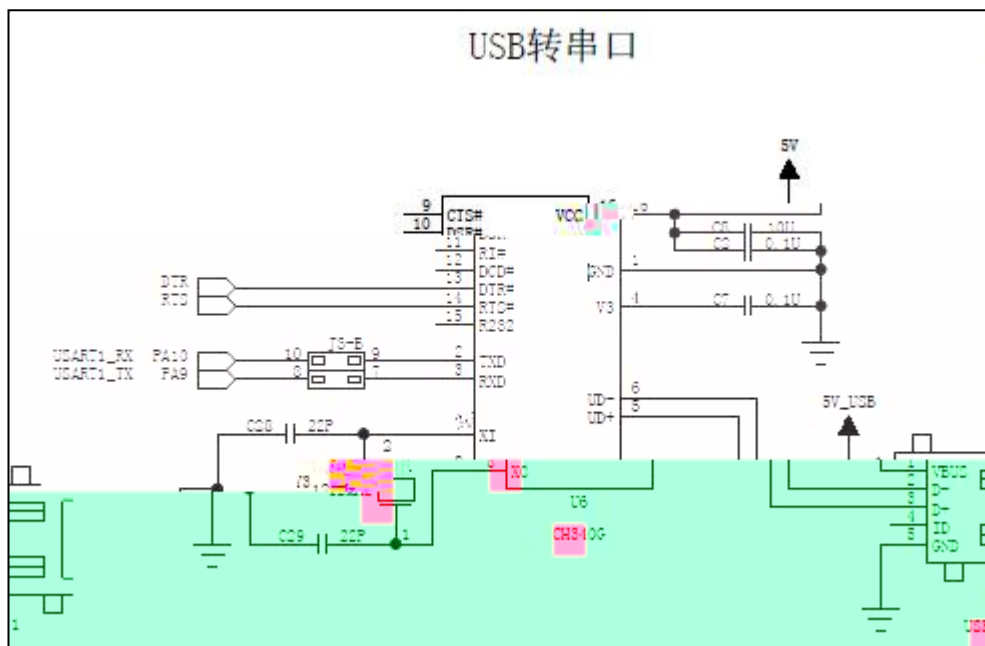
1	VBAT	VDD	64
2	PC13/ANT1	VSS	63
3	PC14/OSC32	PB9/TIM4_CH4/SDIO_D5	62
4	PC15/OSC32	PB8/TIM4_CH3/SDIO_D4	61
5	PD0/OSCIN	PA7/I2C1_SDA	59
6	PD1/OSCOUT	PA6/I2C1_SCL	58
7	NRS	PB6/I2C1_SCL	57
8	PC0 ADC10	PB5/I2C1_SMBA SPI3_MOSI I2S3_SD	56
9	PC1 ADC11	PB4/JNTRST SPI3_MISO	55
10	PC2 ADC12	PB3/JTDO SPI3_SCK I2S3_CK	54
11	PC3 ADC13	PC2 U5_RX TIM3_ETR SDIO_CMD	53
12	VSSA	PC12 U5_TX SDIO_CK	52
13	VDDA	PC11 U4_RX SDIO_D3	51
14	PA0 WKUP ADC0-TIM2_CH1 ETR-TIM5_CH1-TIM8_ETR	PC10 U4_TX SDIO_D2	50
15	PA1 ADC11-M2-CH2-TM5-CH2	PA15/JTDI SPI3_NSS I2S3_WS	49
16	PA2 U2_TX ADC2-TIM2_CH3-TIM5_CH3	PA14/JTCK SWCLK	48
17	PA3 U2_RX ADC3-TIM2_CH4-TIM5_CH4	VDD	47

2

3



1



2

3

-





3

-

1

2

---

---







2

3

-



3

-





3

-



2

3

-

1



2

3

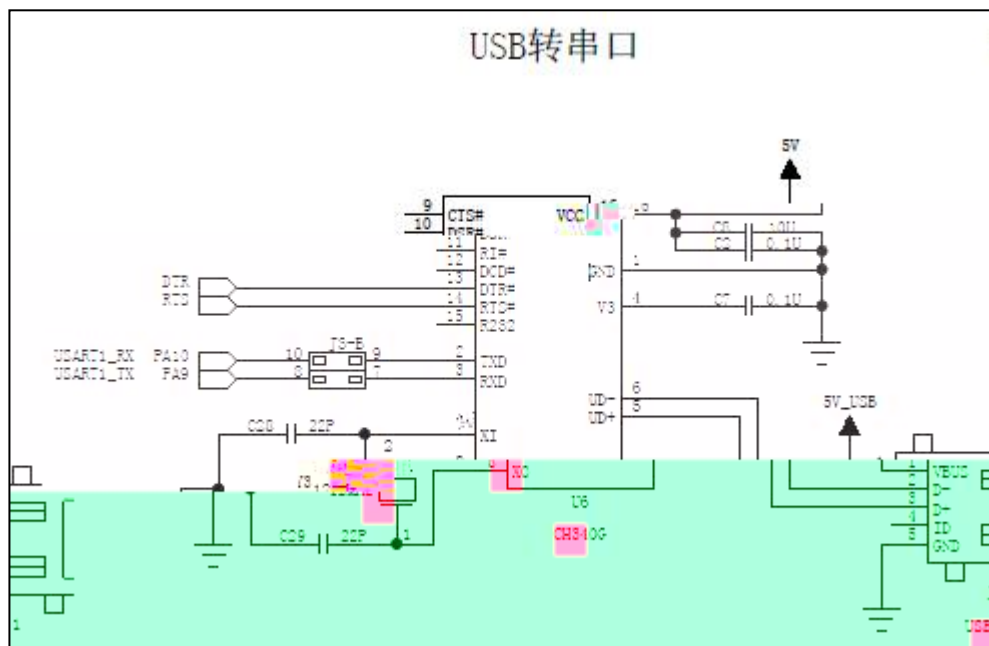


2

3

-

1



2

3

-



1

1

/ /

.0

/ /

( )

/

1 0

20		10			0	
			6			
			7			
		10	8			
			9			

			10	
30				
		10		
		10		
50				
		10		

5

18

1  
2

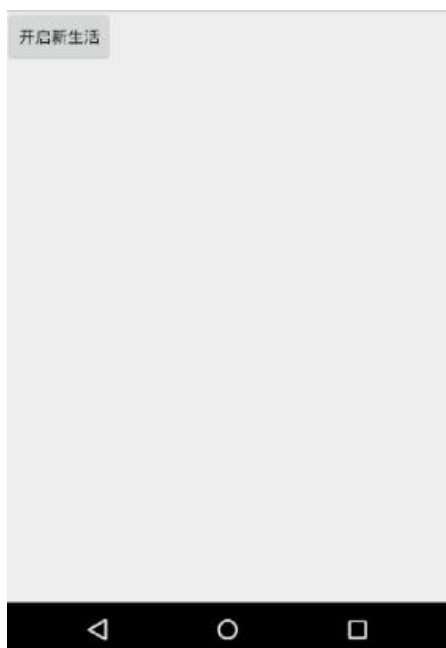
20sp

RGB #FF0000



2

1

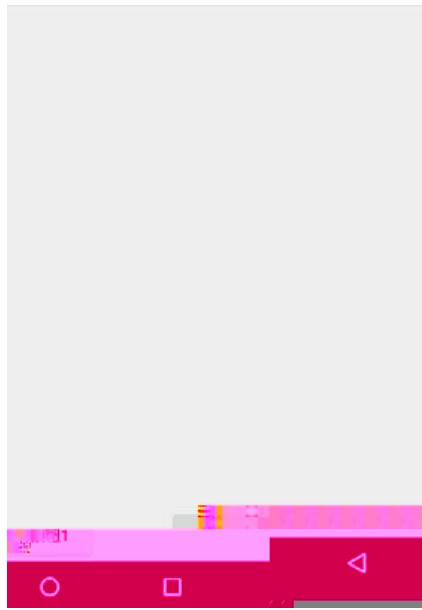


1

2

1

2



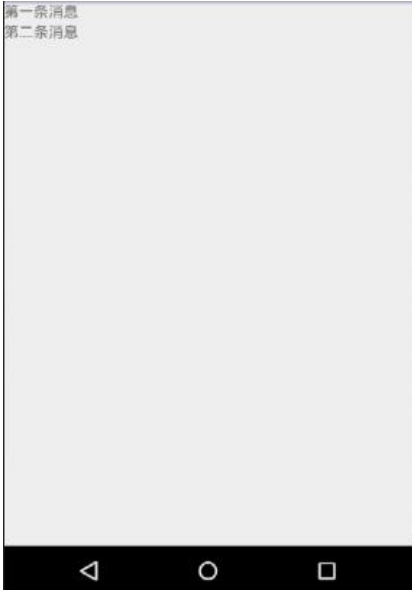
3

:

TextView

2

1



1

2



2

1

2





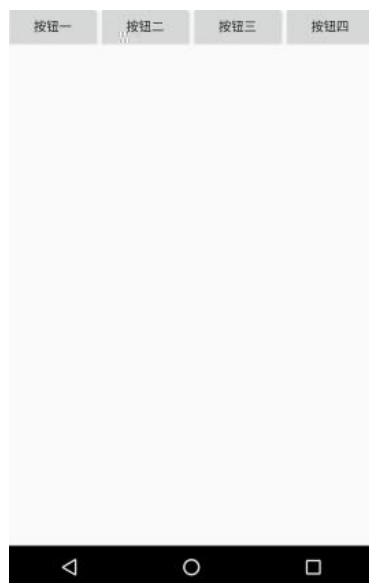
1

1 1 1 1

2

1  
2

1 1 1 1



1

2

1



1

2

1

2



1

2

1

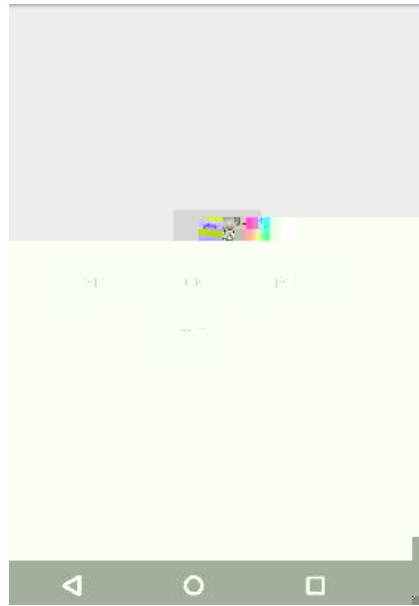
2



1

2

1



1

LED

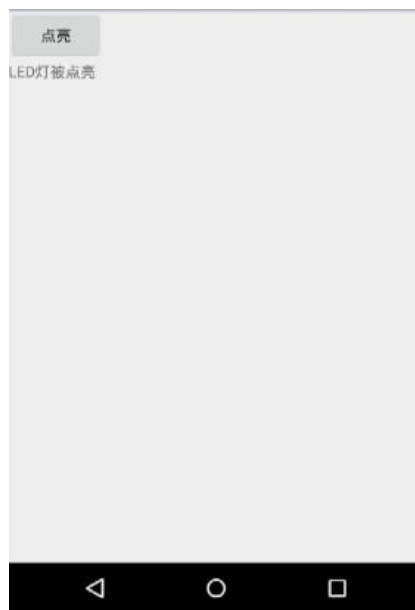
2

1

2

3

TextView LED



1

LED

2

1

2

3

TextView LED



1

LED

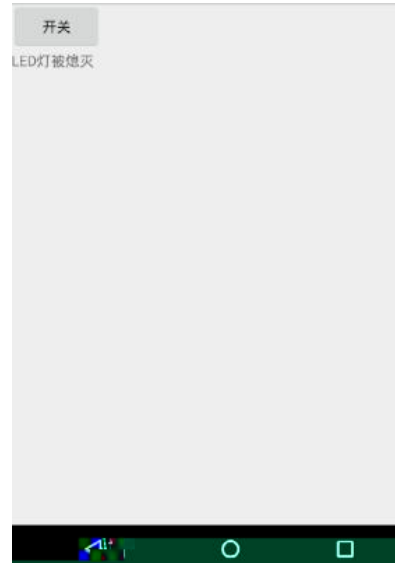
2

1

2

3

TextView LED





1

LED

2

1

2

3

4

TextVi ew



1

LED

2

1

2

3

4

ImageView

30dp\*30dp



1

2

1

2



1

2

1

2

